



RISMAQ

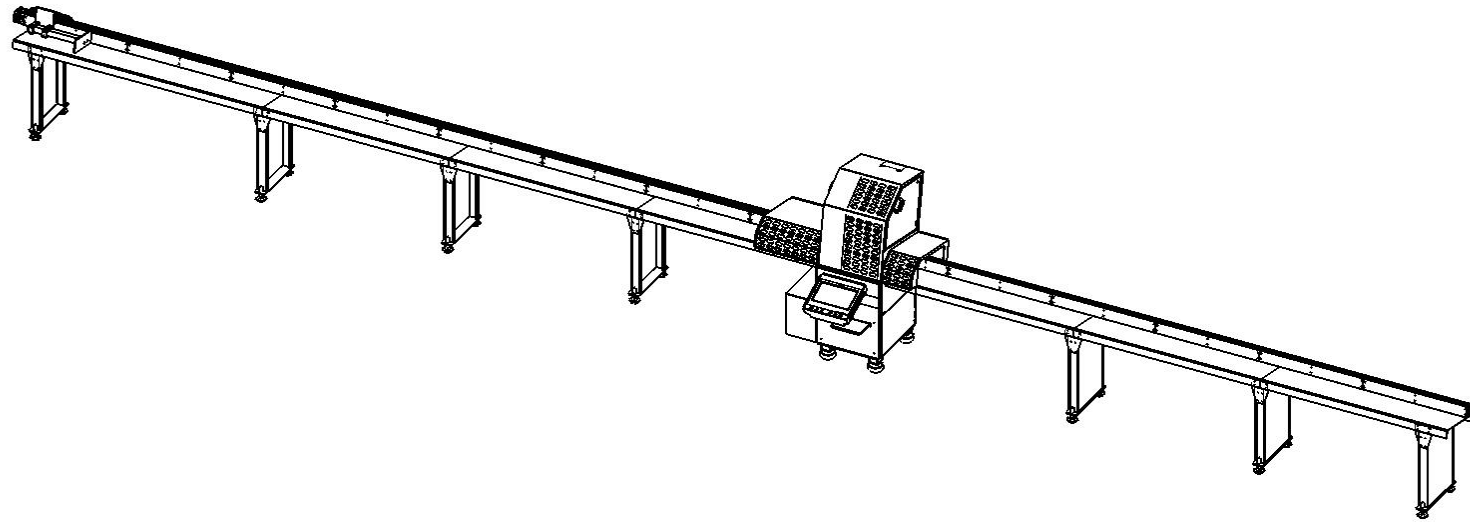
RQ-5500H

Roller Shutter Profile
Cutting Machine with Push
Type Profile Feeding
System

It is designed for cutting roller shutter profiles.

Technical Drawing

Roller Shutter Profile Cutting Machine with Push Type Profile Feeding System



Industrial revolution.



English

Roller Shutter Profile Cutting Machine with Push Type Profile Feeding System

- ✓ It is designed to cut shutter profiles for mass production, side guide channel profiles and group of monobloc shutter box
- ✓ It has optimization cutting mode.
- ✓ Pc controlled with Windows operating system.
- ✓ Easy and fast data transfer because of Pc (by usb memory, cable, cd, wireless, Ethernet, mail etc.).
- ✓ Unlimited cutting data memory.
- ✓ Thanks to 15.6" lcd control screen for being user-friendly.
- ✓ Clean surface cutting because of high saw rotation.
- ✓ Automatic push type digital measuring system with servo motor technology.
- ✓ Cutting speed of profile can be adjusted.
- ✓ Saw disc is 500 mm.
- ✓ Remote control service technology.

OPTIONAL:

- ✓ Barcode system
- ✓ Saw dust collector

Industrial revolution.



RISMAQ

www.rismaq.com